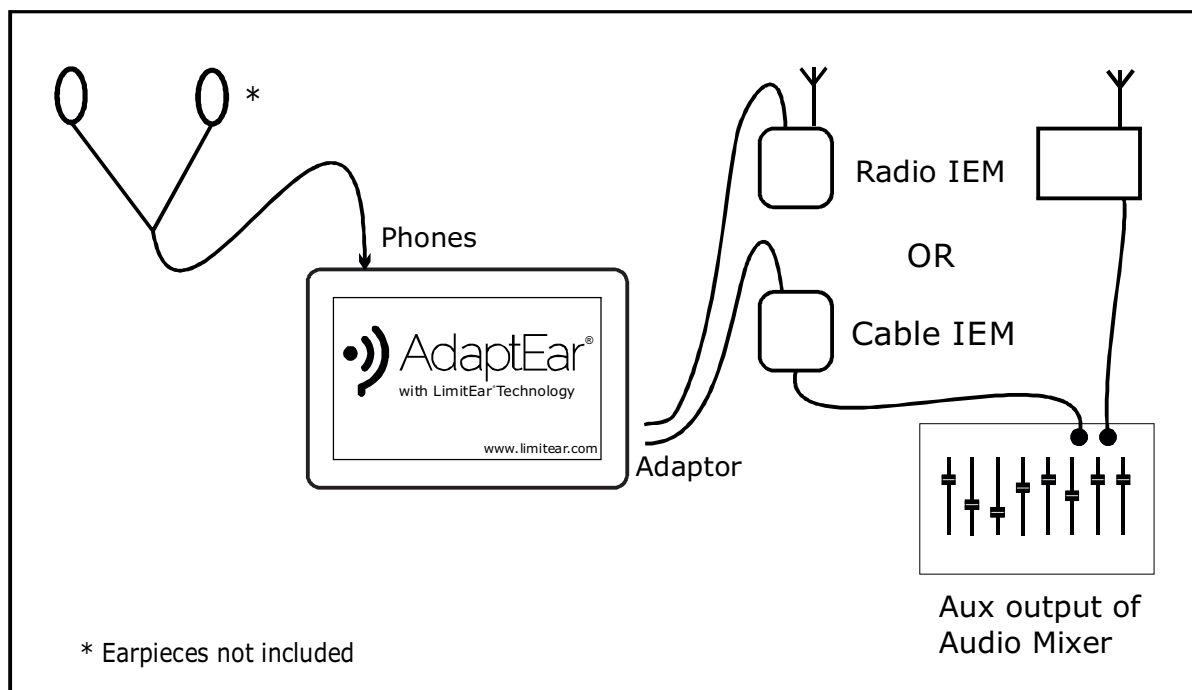


Applications Guide



Musicians



Applications

Monitoring a stereo source.

Accessories Required

No.	Part Code	Description
1	Ster 3.5 S,M or L	Connects a Stereo signal to AdaptEar® adaptor socket as primary listening source.

Users

Musicians, Singers, even Drummers.